



VISATEC
PART OF ISEC

VT 60 PTZC HD

inspection
camera



VT 60 PTZC HD inspection camera

Radiation resistant & watertight FullHD camera with integrated dimmable lighting, pan and tilt function, with slipping clutch and zoom function

Features

- Robust design in anodized aluminum & stainless steel
- Pan & tilt including slipping clutch
- Radiation tolerant
- Zoom lens 10x optical / 16x digital
- 1080i/60 fps Full-HD resolution
- Integrated LED lighting
- Watertight up to 50 m

Applications

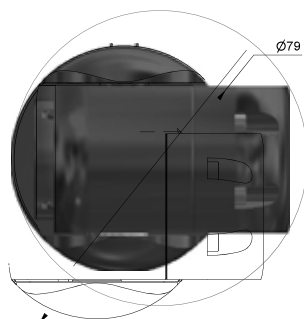
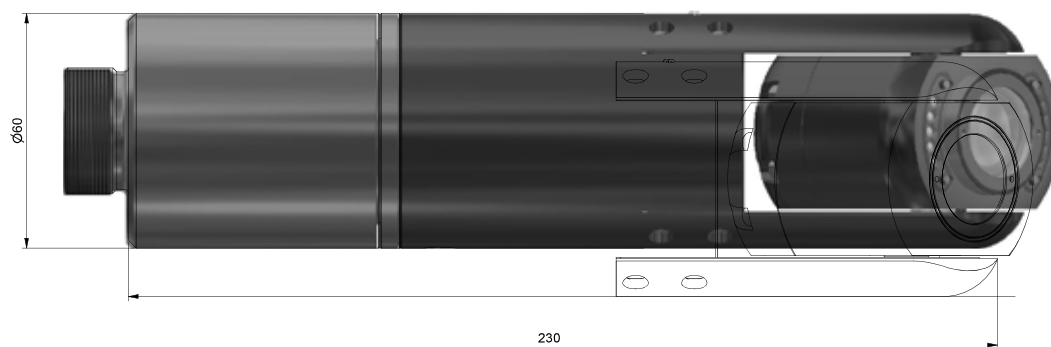
- All underwater inspections and monitoring applications in hard to reach areas
- Nuclear applications (refueling - offloading - maintenance)
- Industrial applications (offshore or deep well inspections)
- Decommissioning applications (pipe and tank inspections)

Technical specifications - VT 60 PTZC HD camera

This document is for general information only, please consult the system manual for detailed specifications

Housing	Anodized aluminum & stainless steel
Image sensor / number of effective pixels	1/3" CMOS
Output pixels (HxV)	1920x1080
Signal system	1080i/60
Minimum illumination	0.5 lx
Optical zoom	10x
Digital zoom	16x
Focus	Automatic or manual
FOV	58.2° (wide) to 6.9° (tele)
Minimum object distance	10 mm (wide) to 800 mm (tele)
Video output	Y/Pb/Pr
Range - PAN	Infinite
Range - TILT	314° (± 157°)
Lighting	4 W
Luminous flux	---
Dimension (ø x L)	60x230 mm
Weight	31,5 kg
Operating temperature	---
Water tight / water depth	5 bar / 50 m
Radiation tolerant	---
Total dose	---
Optionals	---
Features	Integrated slipping clutch for pan & tilt

* unit in mm



Setup

1 Camera



VT 60 PTZC HD

2 Cabling



Cable
VT 360 PTC HD KCP

3 Control unit



Control unit
VT CamCtrl

24 V DC

4 Remote control



Remote control
VT XLRAD BFBH*

*similar picture

5 Add-ons



Monitor



Laptop

Accessories



VT 29 carbon poles - 29 or 42 mm diameter
Connectable carbon poles for deployment of cameras and tools - standard lengths are 1 and 2 m



Manhole holder
Versatile positioner for 29 or 42 mm carbon poles



VT GH Vario tool holder
Variable railing bracket with stainless steel adapter for connecting the camera to 29 or 42 mm diameter carbon poles

ISEC Visatec GmbH
Gewerbepark 7
87477 Sulzberg
Telephone +49 8376 9215-0
info@visatec.de
visatec.de