



VT 1000 PTZL HD EX

camera system
brochure



VT 1000 PTZL HD EX - FullHD Ex classified inspection camera

ATEX zone 1 rated & watertight FullHD camera with integrated dimmable lighting, pan and tilt function, with slipping clutch and zoom function

Features

- ATEX certification
- (EX II 2G Ex eb ib pxb IIC T6 Gb)
- IECEx certification
- (EX eb ib pxb IIC T6 Gb)
- Robust design in stainless steel
- Pan & tilt including slipping clutch
- Zoom lens 30x optical / 12x digital
- 1080i/60 fps Full-HD resolution
- Integrated LED lighting and 2 line lasers
- Watertight up to 6 m

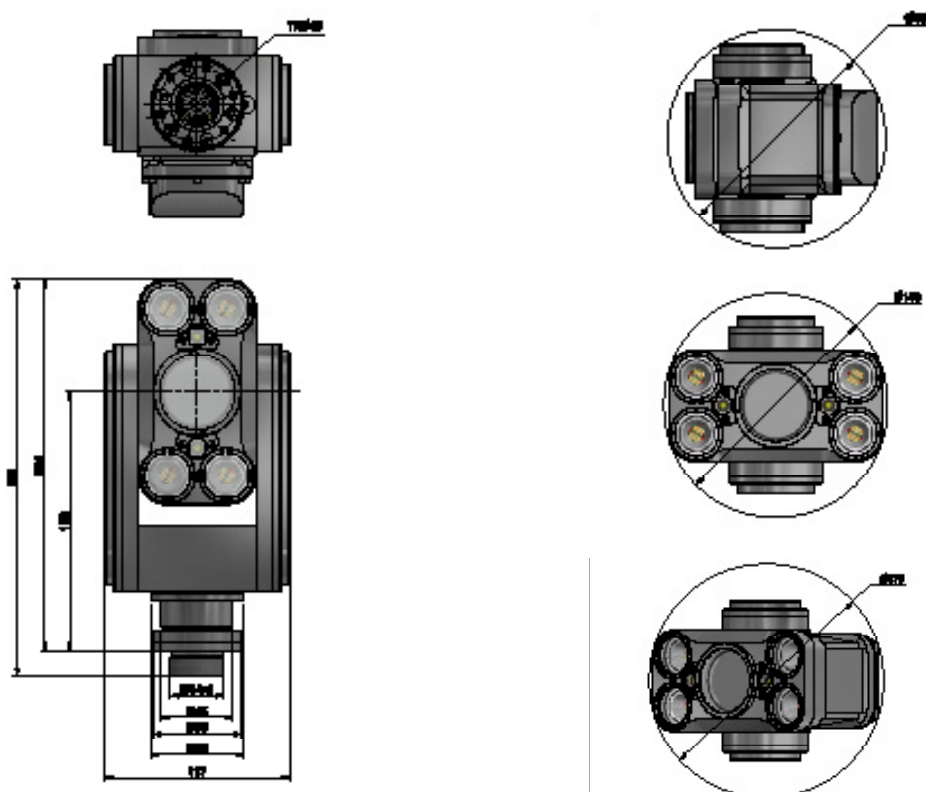
Applications

- Tank inspections in the oil & gas, chemical and petro-chemical industries
- All visual inspections and monitoring in hazardous areas
- Industrial applications

Technical specifications – VT 1000 PTZL HD EX camera

This document is for general information only, please consult the system manual for detailed specifications

ATEX zone	1
ATEX certification	EX II 2G Ex eb ib pxb IIC T6 Gb
IECEc certification	EX eb ib pxb IIC T6 Gb
Housing	Stainless steel
Image sensor / number of effective pixels	CMOS / 2130k pixels
Output pixels (HxV)	1920x1080
Signal system	1080i/60
Minimum illumination	0.01 lx
Optical zoom	30x
Digital zoom	12x
Focus	Automatic or manual
FOV	63.7° (wide) to 2.3° (tele)
Minimum object distance	10 mm (wide) to 1200 mm (tele)
Video output	Y/Pb/Pr
Range - PAN	Infinite
Range - TILT	220° (± 110°)
Lighting	4x LED spots
Luminous flux	---
Dimension (LxWxØ)	250x117x135 mm
Weight	5 kg
Operating temperature	+1°C to +50°C
Water tight / water depth	0.6 bar / 6 m
Radiation tolerant	---
Total dose	---
Optionals	---
Features	Integrated slipping clutch for pan & tilt, two line lasers stainless steel



Setup

Possible combinations



1 Camera



VT 1000 PTZL HD EX

2 Cabling



VT Nitrogen



VT 1000 HD SKT EX



VT 1000 EX Interface box

3 Control Unit



Control unit VT 6360 CU



Control unit VT 300-3 CU



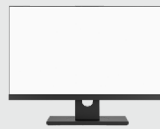
Control unit VT CamCtrl

24 V DC

Add-ons



Remote control VT 780-2 FB

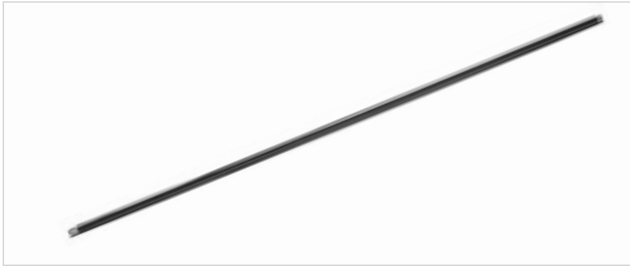


Monitor

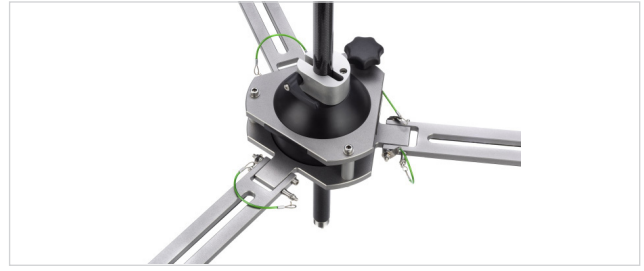


RS485 Interface

Optional accessories - not ATEX / EX classified



VT 42 carbon poles - 42 mm diameter
Connectable carbon poles for deployment of cameras and tools -
standard lengths are 1 and 2 m



Manhole holder
Versatile positioner for 42 mm carbon poles

ISEC Visatec GmbH
Gewerbepark 7
87477 Sulzberg
Telephone +49 8376 9215-0
info@visatec.de
visatec.de